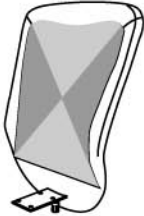

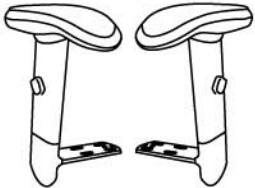
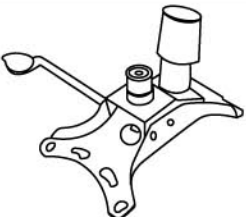
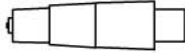


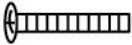
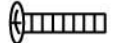
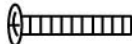
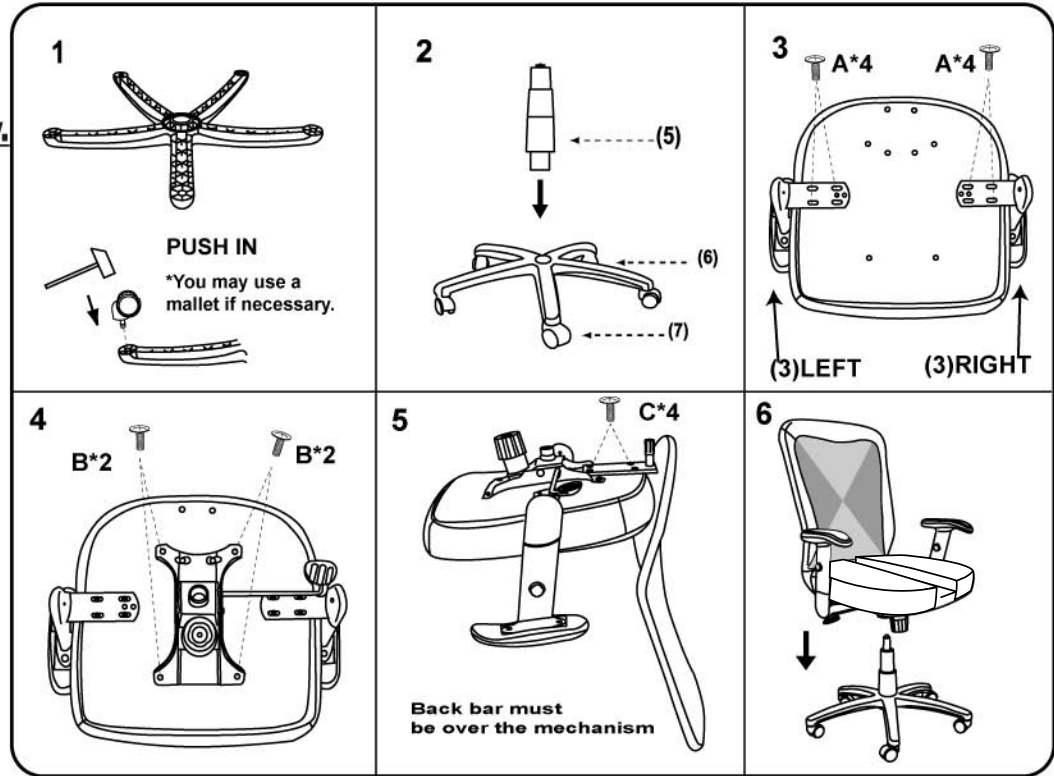


Please unscrew all hardware from cushion before assembly.
Por favor de destornillar todos los tornillos del cojín antes de ensamblar la silla.

CT 580

(1)x1  TU580-B / Back	(2)x1  TU580-S / Seat	(3)x1 (L)x1 (R)  TU058 / Right & Left Arm
(4)x1  TU001-Mechanism	(5)x1  TU026-Gas Lift	(6)x1  TU005-Five Star Base
(7)x5  TU015-Casters	(A)X8  M6X30 Arm Screws (B)X4  M8X22 Mechanism Screws (C)X4  M8X30 Back Bar Screws	



Insert and loosely tighten all screws. When assembly is completed, fully tighten all screws before using. This chair is only intended for sitting. Any other use will void the warranty.



A **Better** Way To Sit®
 Please visit our website at...
www.carmichaelthrone.com